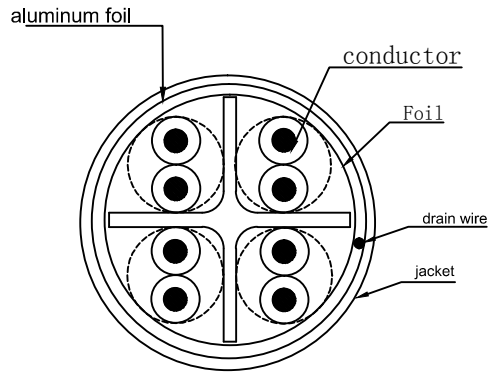


REACH Compliant

Rev No	Revision note	Date	Signature	Checked
A/0	CHANGE THE CARTON SIZE AND ADD NEW ITEM NO	2015.12.25	JASON	



F/UTP CAT6A or CAT6 LAN CABLE

Product Description :
 Inner Conductor: bare solid copper.
 Insulation: color coded PE insulation.
 Drain Wire: bare solid copper.
 Shield: Aluminum-Mylar Foil overlapped, 100% coverage.
 wire braiding.
 Jacket : PVC or LSZH.

Standards:
 ISO/IEC11801: 2010 (Ed. 2.0)
 EIA/TIA-568-C.2: 2009

Colors for option	Test Requirement	Fields of Application suggested	Cable specification for options	Cable jacket material
Black/Grey Blue/Red Yellow/Pink Orange/Purple Green/White	Pass Channel-Link Tested by Fluke	Data-Center, Network Distribitng Room	23AWG/1 or 26AWG/1	LSZH or PVC

Mould number:	HVB ELECTRONICS.,CO.LTD		Article No./	
	Name: F/UTP LAN CABLE		Date: 2015.12.25	Edition: A/0
	Customer code:	Customer P/N:	Scale: /	Unit: mm
	P/N:	File number:	Sheet: A4	
	Approved by:	Checked by:	Designed by: JASON	